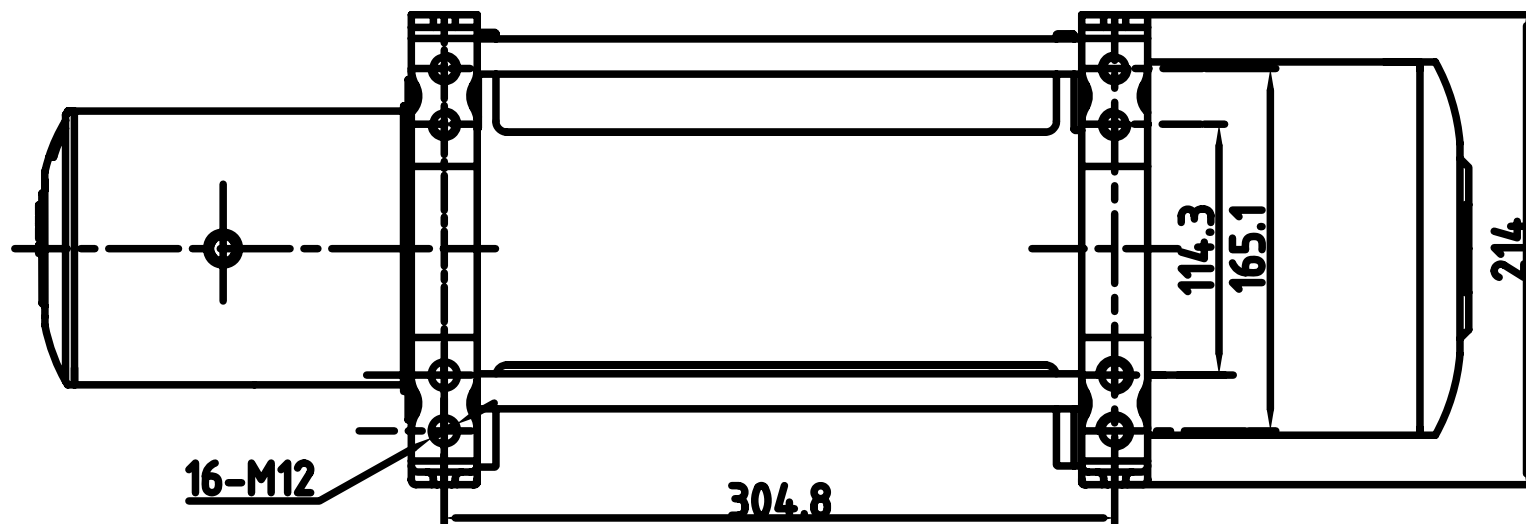
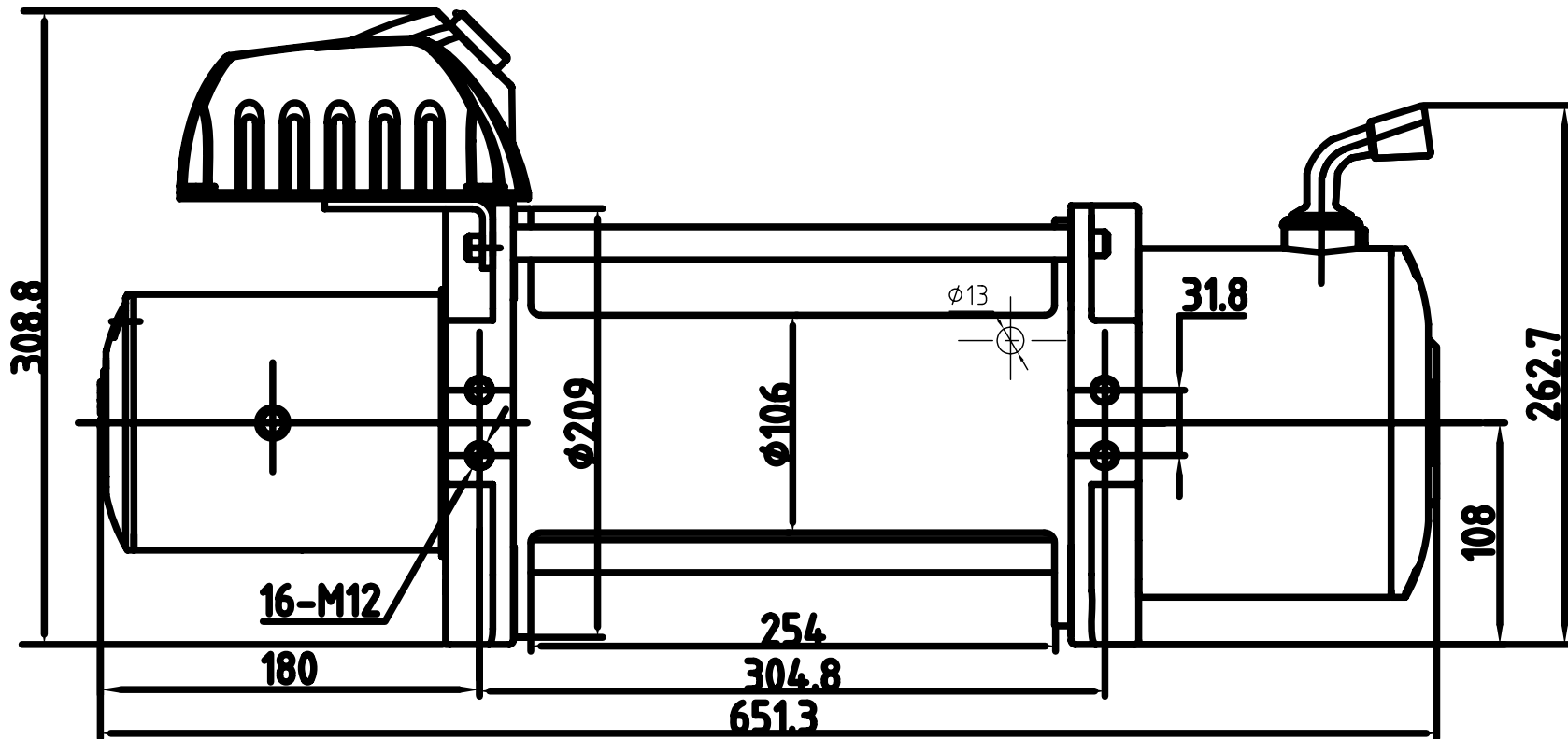


8553600

爆炸图

8553600

爆炸图



8553200(CEW15000LBS 12V)WINCH PART LIST

| NO. | P/N | Description | Qty | NO. | P/N | Description | Qty |
|-----|-----------------|---|-----|-----|-----------------|----------------------------|-----|
| 1 | 7353200.0-15 | Bearing | 1 | 28 | 8553600.1-1 | Motor Base | 1 |
| 2 | 8553200.5-6 | Sun Gear-Input | 1 | 29 | 7353200.6 | Gear Carrier Ass'y-input | 1 |
| 3 | 8553200.5 | Gear Carrier Ass'y-second Stage intermediat | 1 | 30 | 7353200.6-1 | Inner Gear | 1 |
| 4 | 7353200.0-19 | Cushion | 1 | 31 | 8541200.0-2 | Tie Bar | 1 |
| 5 | 7353200.4 | Gear Carrier Ass'y-third Stage intermediate | 1 | 32 | 7353200.0-3 | Drum Bearing | 2 |
| 6 | 7353200.0-19 | Cushion | 2 | 33 | GB70 M5*20 | Bolt M5x20 | 10 |
| 7 | 7353200.3 | Gear Carrier Ass'y-output | 1 | 34 | GB/T 93 5 | Lockwasher φ5 | 10 |
| 8 | 7353200.3-1 | Outer Spline | 1 | 35 | 8553600.0-8 | Gear Box Base | 1 |
| 9 | 8541200.2 | Drum Ass'y | 1 | 36 | 8553600.0-7 | Inner Gear TUBE | 1 |
| 10 | 8541200.7 | Brake Ass'y | 1 | 38 | 7353200.0-18 | Clutch Gear | 1 |
| 11 | GB79 M10*16 | Braking Bolt M10x16 | 1 | 39 | 8553600.0-16 | Gear Box End Cover | 1 |
| 12 | 8553200.8 | Torque Limiter Ass'y | 1 | 40 | GB70.1 M5*20 | Link Screw M5x20 | 12 |
| 13 | 7353200.6-2 | Fixed Bearing | 1 | 41 | GB/T 93 5 | Lockwasher φ5 | 12 |
| 14 | 8553200.1.2 | Rotor(12v) | 1 | 42 | GB/T1228 M12*40 | Bolt M12x40 | 8 |
| 15 | GB70-M8*25 | Tie Bar Connecting Bolt M8X25 | 2 | 43 | GB/T 93 12 | Lockwasher φ12 | 8 |
| 17 | 7353200.0-11 | Washer Cover | 1 | 50 | 8330300.5 | 4-way Roller Fairlead | 1 |
| 18 | 7353200.0-13 | Clutch Screw | 1 | 51 | GB/T70.2 12*25 | Link Screw M12X25 | 8 |
| 19 | 7353200.0-9 | Clutch Handle | 1 | 52 | GB/T 93 12 | Lockwasher φ12 | 8 |
| 20 | GB3452.1 28*3.2 | Clutch Washer | 1 | 53 | 8330300.4 | WIRE ROPE ARRANGEMENT | 1 |
| 21 | 7353200.0-12 | Clutch Support | 1 | 54 | 7329100.6.5 | Master switch set | 1 |
| 22 | GB/T 5389 | Long Bolt | 2 | 55 | 7329103.1.2 | Hand Remote Control | 1 |
| 23 | 8553600.1-2 | Motor End Cover | 1 | 56 | 7329103A.1 | Control Box(24v) | 1 |
| 24 | 7353200.1.1.2 | Carbon Ass'y | 1 | 57 | 7353200.6.1-17 | 1.83 m Black Battery Cable | 1 |
| 25 | 8553600.1.1 | 5" Stator(12v) | 1 | 58 | 8553200.1.1-10 | thermal protector | 1 |
| 26 | GB70-M5*25 | Bolt M5X25 | 4 | 59 | 8553200.1.1-11 | PG16 cable glands | 1 |
| 27 | GB/T 93 5 | Spring washer φ5 | 4 | | | | |

8554200(CEW15000LBS 24V)WINCH PART LIST

| NO. | P/N | Description | Qty | NO. | P/N | Description | Qty |
|-----|-----------------|---|-----|-----|-----------------|----------------------------|-----|
| 1 | 7353200.0-15 | Bearing | 1 | 28 | 8553600.1-1 | Motor Base | 1 |
| 2 | 8553200.5-6 | Sun Gear-Input | 1 | 29 | 7353200.6 | Gear Carrier Ass'y-input | 1 |
| 3 | 8553200.5 | Gear Carrier Ass'y-second Stage intermediat | 1 | 30 | 7353200.6-1 | Inner Gear | 1 |
| 4 | 7353200.0-19 | Cushion | 1 | 31 | 8541200.0-2 | Tie Bar | 1 |
| 5 | 7353200.4 | Gear Carrier Ass'y-third Stage intermediate | 1 | 32 | 7353200.0-3 | Drum Bearing | 2 |
| 6 | 7353200.0-19 | Cushion | 2 | 33 | GB70 M5*20 | Bolt M5x20 | 10 |
| 7 | 7353200.3 | Gear Carrier Ass'y-output | 1 | 34 | GB/T 93 5 | Lockwasher φ5 | 10 |
| 8 | 7353200.3-1 | Outer Spline | 1 | 35 | 8553600.0-8 | Gear Box Base | 1 |
| 9 | 8541200.2 | Drum Ass'y | 1 | 36 | 8553600.0-7 | Inner Gear TUBE | 1 |
| 10 | 8541200.7 | Brake Ass'y | 1 | 38 | 7353200.0-18 | Clutch Gear | 1 |
| 11 | GB79 M10*16 | Braking Bolt M10x16 | 1 | 39 | 8553600.0-16 | Gear Box End Cover | 1 |
| 12 | 8553200.8 | Torque Limiter Ass'y | 1 | 40 | GB70.1 M5*20 | Link Screw M5x20 | 12 |
| 13 | 7353200.6-2 | Fixed Bearing | 1 | 41 | GB/T 93 5 | Lockwasher φ5 | 12 |
| 14 | 8554200.1.2 | Rotor(24v) | 1 | 42 | GB/T1228 M12*40 | Bolt M12x40 | 8 |
| 15 | GB70-M8*25 | Tie Bar Connecting Bolt M8X25 | 2 | 43 | GB/T 93 12 | Lockwasher φ12 | 8 |
| 17 | 7353200.0-11 | Washer Cover | 1 | 50 | 8330300.5 | 4-way Roller Fairlead | 1 |
| 18 | 7353200.0-13 | Clutch Screw | 1 | 51 | GB/T70.2 12*25 | Link Screw M12X25 | 8 |
| 19 | 7353200.0-9 | Clutch Handle | 1 | 52 | GB/T 93 12 | Lockwasher φ12 | 8 |
| 20 | GB3452.1 28*3.2 | Clutch Washer | 1 | 53 | 8330300.4 | WIRE ROPE ARRANGEMENT | 1 |
| 21 | 7353200.0-12 | Clutch Support | 1 | 54 | 7329100.6.5 | Master switch set | 1 |
| 22 | GB/T 5389 | Long Bolt | 2 | 55 | 7329103.1.2 | Hand Remote Control | 1 |
| 23 | 8553600.1-2 | Motor End Cover | 1 | 56 | 7330103A.1 | Control Box(24v) | 1 |
| 24 | 7353200.1.1.2 | Carbon Ass'y | 1 | 57 | 7353200.6.1-17 | 1.83 m Black Battery Cable | 1 |
| 25 | 8554600.1.1 | 5" Stator(24v) | 1 | 58 | 8553200.1.1-10 | thermal protector | 1 |
| 26 | GB70-M5*25 | Bolt M5X25 | 4 | 59 | 8553200.1.1-11 | PG16 cable glands | 1 |
| 27 | GB/T 93 5 | Spring washer φ5 | 4 | | | | |